










**Tools Required:**

- 1/2" wrench or socket
- 2X 3/4" wrench or socket

**Carton Subassemblies:**

Hardware bag		4x 5/16" Carriage Bolt X 2-3/8" 4x 5/16" Lock Nut 4x 5/16" Curved Washer 2x Knob 2x 5/16" Carriage Bolt X 1-3/4"
Base/Hoop/Links		Base and Hoop are connected by a locking linkage on both sides with finger tightened hardware.
Supports		Right Support Left Support (With kickstand brackets attached.)
Axle/nuts/spacers		Spacers and nuts on axle.

**Remaining parts list:**

Kickstand	
Handle	
Tires	



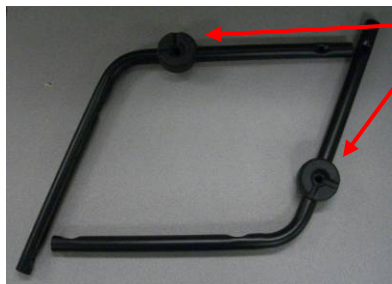
**Step by step assembly:**

1. Take all items out of box and remove the protective plastic sleeves.
2. Lay all parts out so they are easily identifiable and accessible.
3. The base and hoop should already be assembled with link assemblies on both sides. The link assembly hardware should be finger tightened only. Do NOT tighten hardware at this time.



Link assembly

4. Add the left and right supports with the 4x 5/16" carriage bolts x 2-3/8", 4x curved washers, and 4x 5/16" lock nuts. The plastic brackets for the kickstand should already be installed. Insert a carriage bolt into one of the holes from the top (push down through both steel tubes) and align the carriage bolt so the head falls down into the provided hole on the support leg. Place a curved washer and nut on the bottom.



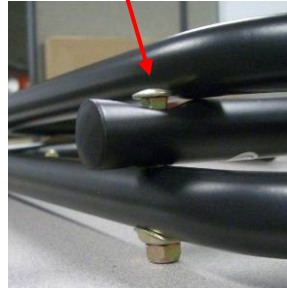
Kickstand brackets

Carriage bolt, curved washer & nut assemblies



Carriage bolt inserted from top

Curved washer and lock nut on bottom





5. Push the open ends on the kickstand into the brackets on the left and right supports. Ensure kickstand is in the down position (see pictures below).



Kickstand



6. Add the handle on to the left and right supports using the 2x knobs and 2x 5/16" carriage bolt x 1-3/4". Push the carriage bolt from the inside of one of the supports. Add the handle – the top holes will make the handle shorter; bottom holes make the handle longer. Tighten knob down to secure handle. Repeat for other side.



Handle

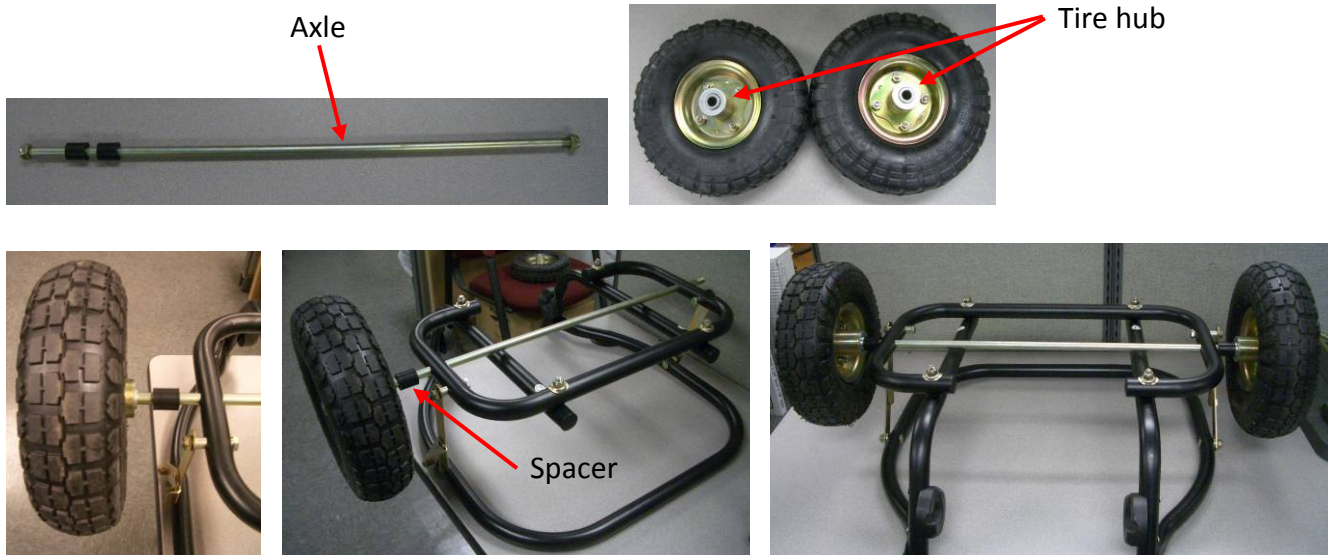
Knobs and Carriage bolts



CA500 Muck Cart – Step by Step



7. Install the axle and tires – 2x ¾” wrenches or sockets will be needed to install. Remove one nut and the two spacers from the axle. Slide the end without the nut through one of the tires making sure the hub of the tire is to the inside; then slide one of the spacers on the axle to the tire. Push the open end of the axle through the provided holes on the base of the muck cart. Add the second spacer and tire on the open end of the axle and secure with the second nut. Use the two wrenches or sockets to tighten the nuts down.



Completed assembly:







**Use and storage tips:**

**Hoop up position:** Use the hoop in the up position for hauling muck tubs, bales, feed, etc.



Hoop in up position.



Link assembly locked – up position

To lock link assembly: With the hoop in the up position, push on tab until the link assembly snaps in place.



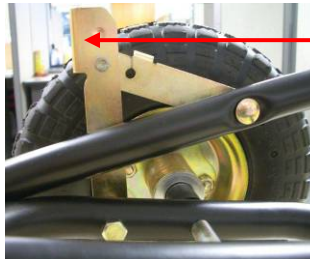
**WARNING**

The CA500 muck cart can become unstable or tip if the hoop is loaded unevenly.

**Hoop down position:** Release (unlock) the link assemblies and lower the hoop to ease item removal. The hoop can also be lowered for wall storage or vehicle transport.



Hoop in down position.



Link assembly unlocked – down position

To unlock link assembly: Pull on tab until the link assembly releases to put the hoop in the down position.



Link assembly in up position – but unlocked



**WARNING**

Check link assembly is locked when in the up position when hauling or loading items into or onto the hoop.



**Handle:**

When using the muck cart, make sure the knobs on either side of the handle are secure. To store the muck cart on a wall, or transport in a vehicle, loosen the knobs on both sides of the handle – the knobs do not need to be removed; only loosened (see middle picture below) and lay the handle down into the muck cart.



Handle in use.



Loosened handle.



Handle in storage position.

**Kickstand:**

During use and storage, the kickstand should be in the up position. To place in the up position push in with a hand or foot on the bottom of the kickstand. To use the kickstand, pull outward on the bottom of the kickstand with a hand or foot.



Kickstand pushed in – up position.



Kickstand pulled out – down position.